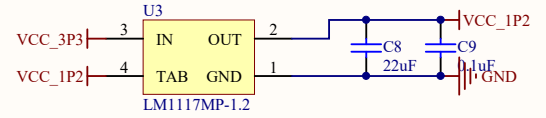
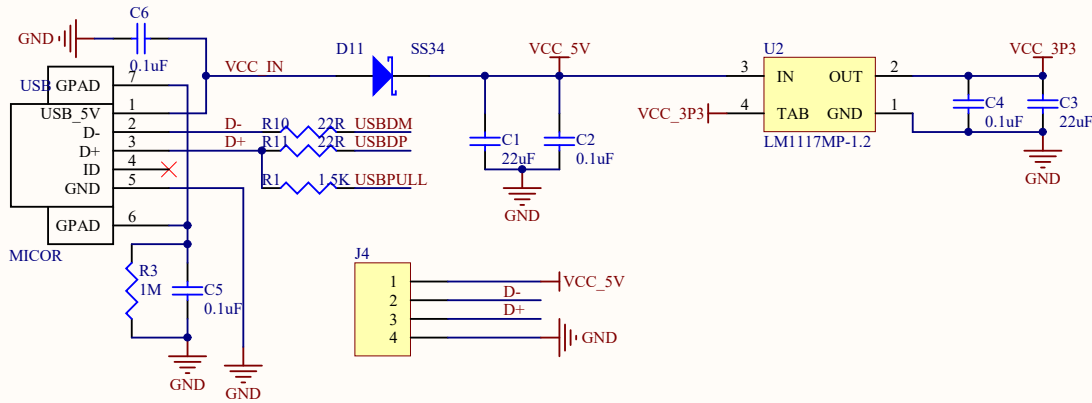
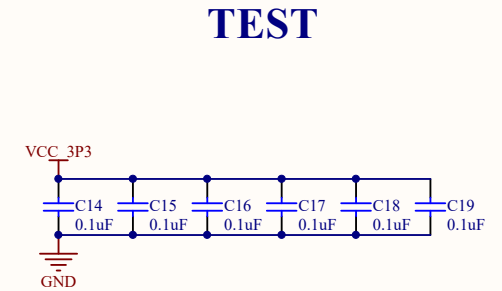
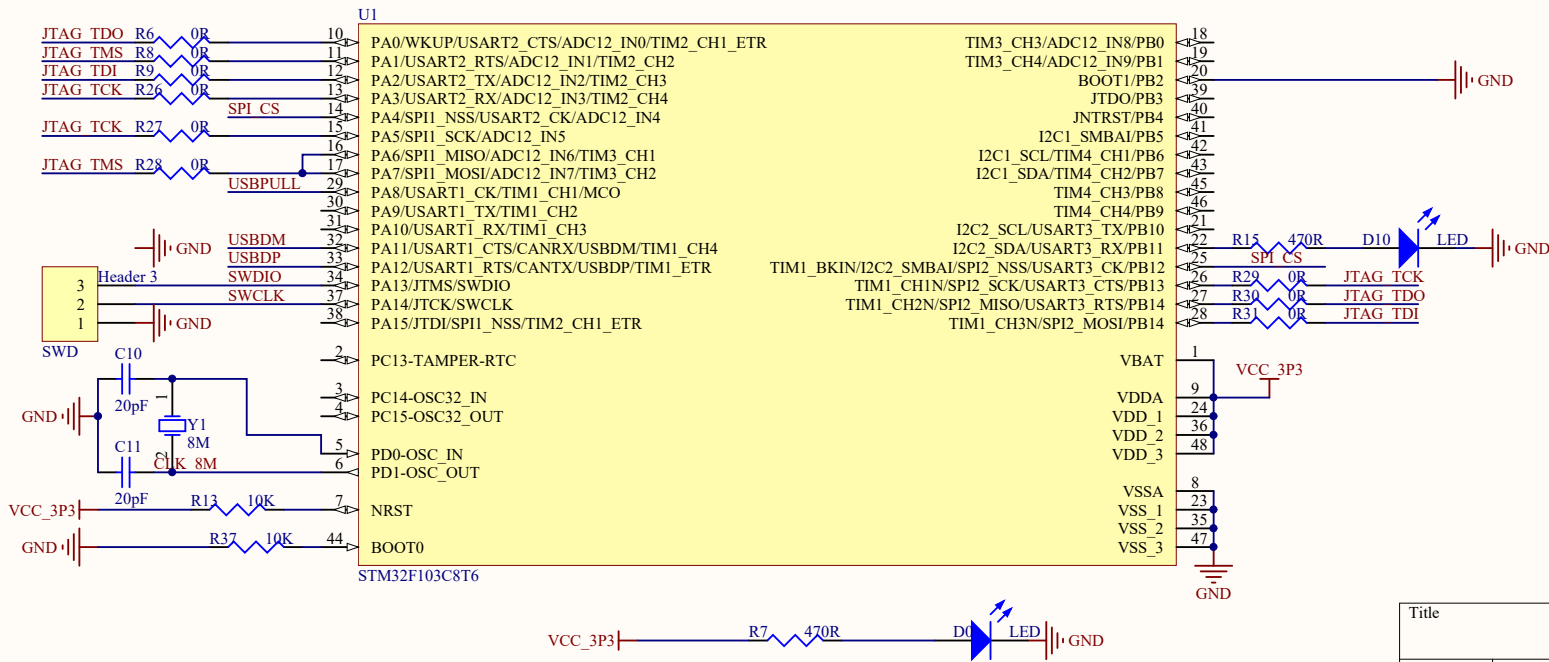


Title		Revision	
Size	Number	DEV1	
A4			
Date:	2019-12-02	Sheet of	
File:	C:\Users\... \AL3A10BG256_SchDoc	Drawn By:	



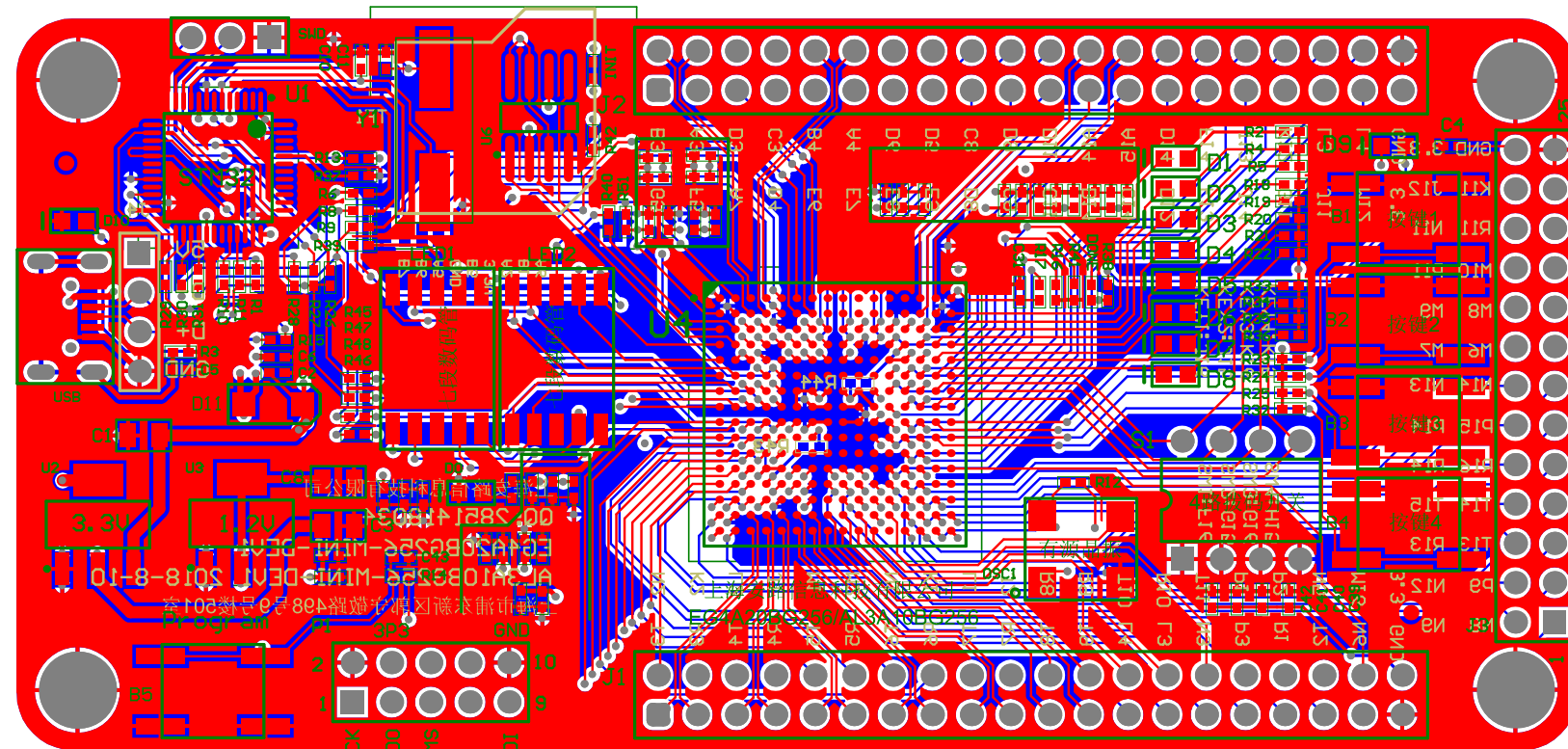
POWER

USB MODULE



TEST

Title		
Size	Number	Revision
A4		DEV1
Date:	2019-12-02	Sheet of
File:	C:\Users\...usb2jtag_SchDoc	Drawn By:



说明:

厚度1.6mm

长宽10.2X4.8mm

拼板:4.8cm方向 X 2

工艺边加在4.8cm方向, 加mark, 1.6mm定位孔

边框层: keepout layer